

SRAM

64K x 1 SRAM

FEATURES

- High speed: 9, 10, 12, 15, 20 and 25ns
- High-performance, low-power, CMOS double-metal process
- Single +5V $\pm 10\%$ power supply
- Easy memory expansion with \overline{CE} option
- All inputs and outputs are TTL-compatible

OPTIONS

- Timing
 - 9ns access
 - 10ns access
 - 12ns access
 - 15ns access
 - 20ns access
 - 25ns access

- Packages

Plastic DIP (300 mil)
Plastic SOJ (300 mil)

- 2V data retention

- Temperature

Commercial (0°C to +70°C)
Industrial (-40°C to +85°C)
Automotive (-40°C to +125°C)
Extended (-55°C to +125°C)

- Part Number Example: MT5C6401DJ-10 L

NOTE: Not all combinations of operating temperature, speed, data retention and low power are necessarily available. Please contact the factory for availability of specific part number combinations.

MARKING

- 9
-10
-12
-15
-20
-25

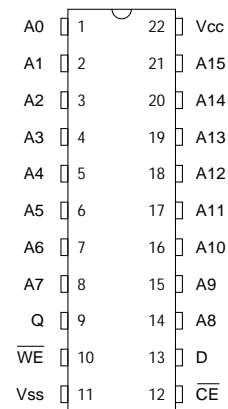
None
DJ

L

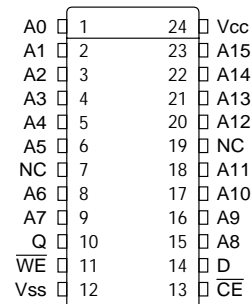
None
IT
AT
XT

PIN ASSIGNMENT (Top View)

22-Pin DIP (SA-2)



24-Pin SOJ (SD-1)



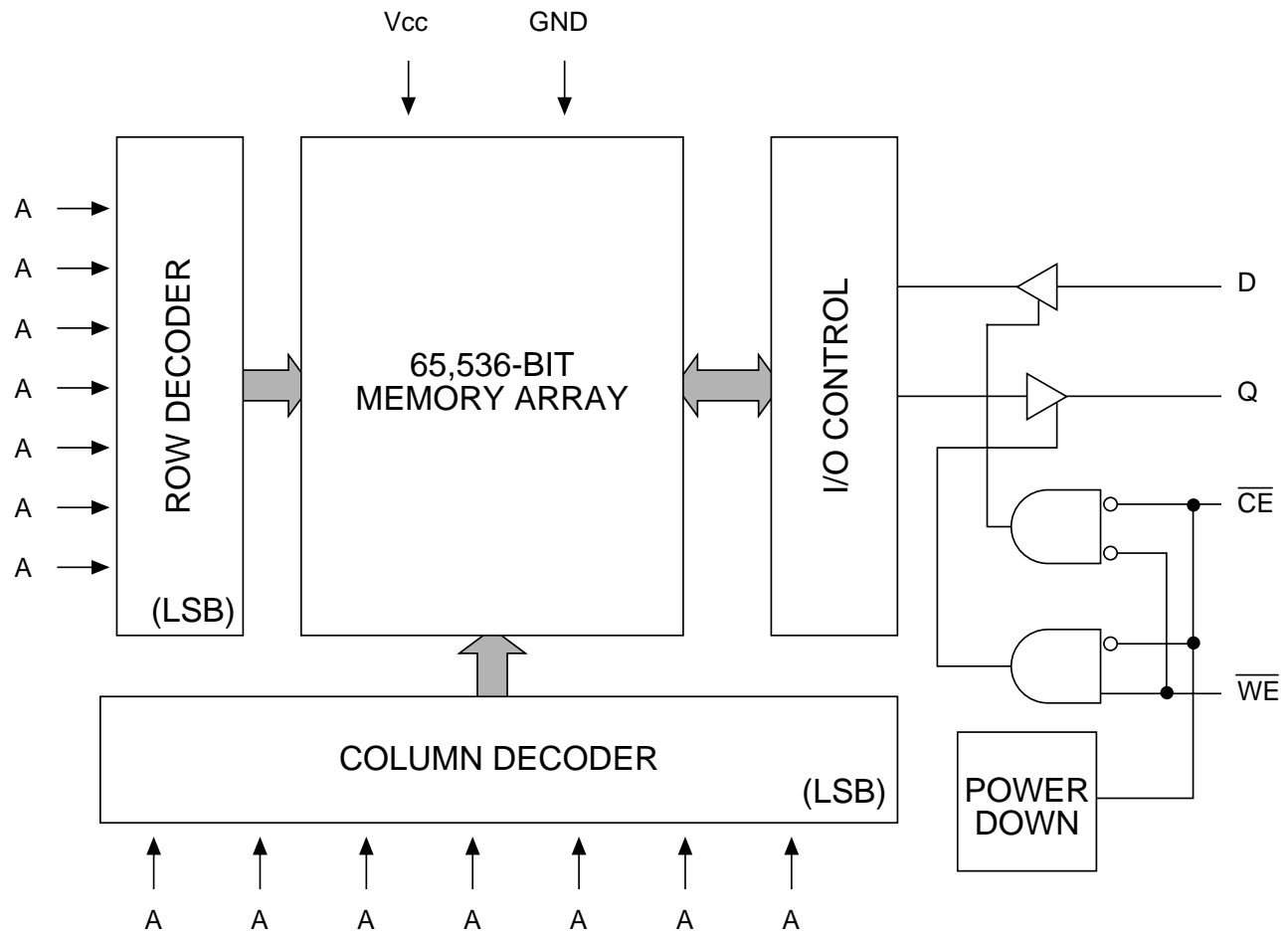
GENERAL DESCRIPTION

The MT5C6401 is organized as a 65,536 x 1 SRAM using a four-transistor memory cell with a high-speed, low-power CMOS process. Micron SRAMs are fabricated using double-layer metal, double-layer polysilicon technology.

For flexibility in high-speed memory applications, Micron offers chip enable (\overline{CE}) with all organizations. This enhancement can place the outputs in High-Z for additional flexibility in system design. The x1 configuration features separate data input and output.

Writing to these devices is accomplished when write enable (\overline{WE}) and \overline{CE} inputs are both LOW. Reading is accomplished when \overline{WE} remains HIGH and \overline{CE} goes to LOW. The device offers a reduced power standby mode when disabled. This allows system designers to meet low standby power requirements.

All devices operate from a single +5V power supply and all inputs and outputs are fully TTL-compatible.

FUNCTIONAL BLOCK DIAGRAM

TRUTH TABLE

MODE	\overline{CE}	\overline{WE}	INPUT	OUTPUT	POWER
STANDBY	H	X	DON'T CARE	HIGH-Z	STANDBY
READ	L	H	DON'T CARE	Q	ACTIVE
WRITE	L	L	DATA-IN	HIGH-Z	ACTIVE



ABSOLUTE MAXIMUM RATINGS*

Voltage on Vcc Supply Relative to Vss -1V to +7V
 Storage Temperature (plastic) -55°C to +150°C
 Power Dissipation 1W
 Short Circuit Output Current 50mA
 Voltage on Any Pin Relative to Vss -1V to Vcc +1V

*Stresses greater than those listed under “Absolute Maximum Ratings” may cause permanent damage to the device. This is a stress rating only and functional operation of the device at these or any other conditions above those indicated in the operational sections of this specification is not implied. Exposure to absolute maximum rating conditions for extended periods may affect reliability.

ELECTRICAL CHARACTERISTICS AND RECOMMENDED DC OPERATING CONDITIONS

(0°C ≤ T_A ≤ 70°C; V_{CC} = 5V ±10%)

DESCRIPTION	CONDITIONS	SYMBOL	MIN	MAX	UNITS	NOTES
Input High (Logic 1) Voltage		V _{IH}	2.2	V _{CC} +1	V	1
Input Low (Logic 0) Voltage		V _{IL}	-0.5	0.8	V	1, 2
Input Leakage Current	0V ≤ V _{IN} ≤ V _{CC}	I _{LI}	-5	5	μA	
Output Leakage Current	Output(s) disabled 0V ≤ V _{OUT} ≤ V _{CC}	I _{LO}	-5	5	μA	
Output High Voltage	I _{OH} = -4.0mA	V _{OH}	2.4		V	1
Output Low Voltage	I _{OL} = 8.0mA	V _{OL}		0.4	V	1
Supply Voltage		V _{CC}	4.5	5.5	V	1

DESCRIPTION	CONDITIONS	SYMBOL	TYP	MAX						UNITS	NOTES
				-9	-10	-12	-15	-20	-25		
Power Supply Current: Operating	$\overline{CE} \leq V_{IL}$; V _{CC} = MAX f = MAX = 1/τ _{RC} outputs open	I _{CC}	125	190	185	175	165	140	130	mA	3, 13
Power Supply Current: Standby	$\overline{CE} \geq V_{IH}$; V _{CC} = MAX f = MAX = 1/τ _{RC} outputs open	I _{SB1}	22	60	50	45	40	35	35	mA	13
	$\overline{CE} \geq V_{CC} - 0.2V$; V _{CC} = MAX V _{IN} ≤ V _{SS} + 0.2V or V _{IN} ≥ V _{CC} - 0.2V; f = 0	I _{SB2}	0.5	3	3	3	3	3	5	mA	13

CAPACITANCE

DESCRIPTION	CONDITIONS	SYMBOL	MAX	UNITS	NOTES
Input Capacitance	T _A = 25°C; f = 1 MHz V _{CC} = 5V	C _I	7	pF	4
Output Capacitance		C _O	7	pF	4

ELECTRICAL CHARACTERISTICS AND RECOMMENDED AC OPERATING CONDITIONS

 (Note 5) ($0^{\circ}\text{C} \leq T_A \leq 70^{\circ}\text{C}$; $V_{CC} = 5V \pm 10\%$)

DESCRIPTION	SYM	-9		-10		-12		-15		-20		-25		UNITS	NOTES
		MIN	MAX	MIN	MAX	MIN	MAX	MIN	MAX	MIN	MAX	MIN	MAX		
READ Cycle															
READ cycle time	t_{RC}	9		10		12		15		20		25		ns	
Address access time	t_{AA}		9		10		12		15		20		25	ns	
Chip Enable access time	t_{ACE}		9		9		10		12		15		20	ns	
Output hold from address change	t_{OH}	3		3		3		3		3		3		ns	
Chip Enable to output in Low-Z	t_{LZCE}	2		2		2		2		2		2		ns	7, 14
Chip disable to output in High-Z	t_{HZCE}		5		5		6		7		8		8	ns	6, 7
Chip Enable to power-up time	t_{PU}	0		0		0		0		0		0		ns	
Chip disable to power-down time	t_{PD}		9		10		12		15		20		25	ns	
WRITE Cycle															
WRITE cycle time	t_{WC}	9		10		12		15		20		25		ns	
Chip Enable to end of write	t_{CW}	7		8		10		12		15		20		ns	
Address valid to end of write	t_{AW}	7		8		10		12		15		20		ns	
Address setup time	t_{AS}	0		0		0		0		0		0		ns	
Address hold from end of write	t_{AH}	0		0		0		0		0		0		ns	
WRITE pulse width	t_{WP}	6		7		8		10		12		15		ns	
Data setup time	t_{DS}	5		6		7		8		9		10		ns	
Data hold time	t_{DH}	1		1		1		1		1		1		ns	
Write disable to output in Low-Z	t_{LZWE}	2		2		2		2		2		2		ns	7
Write Enable to output in High-Z	t_{HZWE}		4		5		5		6		8		8	ns	6, 7

INDUSTRIAL TEMPERATURE SPECIFICATIONS (IT)

The following specifications are to be used for Industrial Temperature (IT) MT5C6401 SRAMs.
($-40^{\circ}\text{C} \leq T_A \leq 85^{\circ}\text{C}$)

DESCRIPTION	CONDITIONS	SYMBOL	MAX					UNITS	NOTES
			-10	-12	-15	-20	-25		
Power Supply Current: Operating	$\overline{\text{CE}} \leq V_{\text{IL}}; V_{\text{CC}} = \text{MAX}$ $f = \text{MAX} = 1/\text{t}_{\text{RC}}$ outputs open	I _{CC}	195	185	175	150	140	mA	3, 13
Power Supply Current: Standby	$\overline{\text{CE}} \geq V_{\text{IH}}; V_{\text{CC}} = \text{MAX}$ $f = \text{MAX} = 1/\text{t}_{\text{RC}}$ outputs open	I _{SB1}	60	50	45	40	40	mA	13
	$\overline{\text{CE}} \geq V_{\text{CC}} - 0.2\text{V}; V_{\text{CC}} = \text{MAX}$ $V_{\text{IN}} \leq V_{\text{SS}} + 0.2\text{V}$ or $V_{\text{IN}} \geq V_{\text{CC}} - 0.2\text{V}; f = 0$	I _{SB2}	5	5	5	5	5	mA	13

DATA RETENTION ELECTRICAL CHARACTERISTICS (L version only)

DESCRIPTION	CONDITIONS	SYMBOL	TYP	MAX	UNITS	NOTES	
Data Retention Current	$\overline{\text{CE}} \geq (V_{\text{CC}} - 0.2\text{V})$ $V_{\text{IN}} \geq (V_{\text{CC}} - 0.2\text{V})$ or $\leq 0.2\text{V}$	$V_{\text{CC}} = 2\text{V}$	I _{CCDR}	130	300	μA	14
		$V_{\text{CC}} = 3\text{V}$	I _{CCDR}	210	550	μA	14

ELECTRICAL CHARACTERISTICS AND RECOMMENDED AC OPERATING CONDITIONS

Refer to commercial temperature timing parameters for specifications not listed here.
(Notes 5, 14) ($-40^{\circ}\text{C} \leq T_A \leq 85^{\circ}\text{C}$)

DESCRIPTION	SYM	-12		-15		-20		-25		UNITS	NOTES
		MIN	MAX	MIN	MAX	MIN	MAX	MIN	MAX		
READ Cycle											
Output hold from address change	t _{OH}	2		2		2		2		ns	
Chip Enable to output in Low-Z	t _{LZCE}	1		1		1		1		ns	7
WRITE Cycle											
Write disable to output in Low-Z	t _{LZWE}	1		1		1		1		ns	7

AUTOMOTIVE AND EXTENDED TEMPERATURE SPECIFICATIONS (AT AND XT)

The following specifications are to be used for Automotive Temperature (AT) and Extended Temperature (XT) MT5C6401 SRAMs. ($-40^{\circ}\text{C} \leq T_A \leq 125^{\circ}\text{C}$ - AT) ($-55^{\circ}\text{C} \leq T_A \leq 125^{\circ}\text{C}$ - XT)

DESCRIPTION	CONDITIONS	SYMBOL	MAX				UNITS	NOTES
			-12	-15	-20	-25		
Power Supply Current: Operating	$\overline{\text{CE}} \leq V_{\text{IL}}; V_{\text{CC}} = \text{MAX}$ $f = \text{MAX} = 1/t_{\text{RC}}$ outputs open	I _{CC}	185	175	150	140	mA	3, 13
Power Supply Current: Standby	$\overline{\text{CE}} \geq V_{\text{IH}}; V_{\text{CC}} = \text{MAX}$ $f = \text{MAX} = 1/t_{\text{RC}}$ outputs open	I _{SB1}	50	45	40	40	mA	13
	$\overline{\text{CE}} \geq V_{\text{CC}} - 0.2\text{V}; V_{\text{CC}} = \text{MAX}$ $V_{\text{IN}} \leq V_{\text{SS}} + 0.2\text{V}$ or $V_{\text{IN}} \geq V_{\text{CC}} - 0.2\text{V}; f = 0$	I _{SB2}	5	5	5	5	mA	13

DATA RETENTION ELECTRICAL CHARACTERISTICS (L version only)

DESCRIPTION	CONDITIONS	SYMBOL	TYP	MAX	UNITS	NOTES	
Data Retention Current	$\overline{\text{CE}} \geq (V_{\text{CC}} - 0.2\text{V})$ $V_{\text{IN}} \geq (V_{\text{CC}} - 0.2\text{V})$ or $\leq 0.2\text{V}$	$V_{\text{CC}} = 2\text{V}$	I _{CCDR}	130	300	μA	14
		$V_{\text{CC}} = 3\text{V}$	I _{CCDR}	210	550	μA	14

ELECTRICAL CHARACTERISTICS AND RECOMMENDED AC OPERATING CONDITIONS

Refer to commercial temperature timing parameters for specifications not listed here.

(Notes 5, 14) ($-40^{\circ}\text{C} \leq T_A \leq 125^{\circ}\text{C}$; $-55^{\circ}\text{C} \leq T_A \leq 125^{\circ}\text{C}$; $V_{\text{CC}} = 5\text{V} \pm 10\%$)

DESCRIPTION	SYM	-12		-15		-20		-25		UNITS	NOTES
		MIN	MAX	MIN	MAX	MIN	MAX	MIN	MAX		
READ Cycle											
Output hold from address change	t _{OH}	2		2		2		2		ns	
Chip Enable to output in Low-Z	t _{LZCE}	1		1		1		1		ns	7
WRITE Cycle											
Write disable to output in Low-Z	t _{LZWE}	1		1		1		1		ns	7

AC TEST CONDITIONS

Input pulse levels	V _{ss} to 3.0V
Input rise and fall times	3ns
Input timing reference levels	1.5V
Output reference levels	1.5V
Output load	See Figures 1 and 2

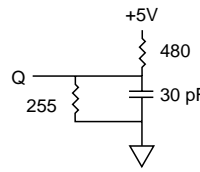


Fig. 1 OUTPUT LOAD EQUIVALENT

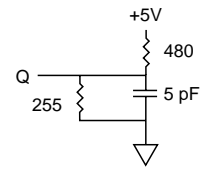


Fig. 2 OUTPUT LOAD EQUIVALENT

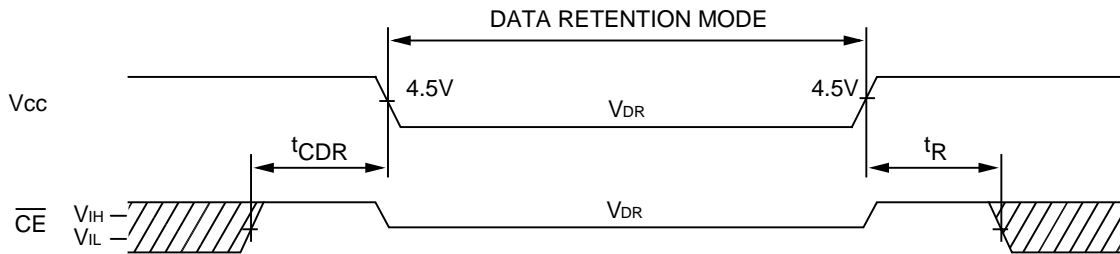
NOTES

- All voltages referenced to V_{ss} (GND).
- 3V for pulse width < t_{RC}/2.
- I_{CC} is dependent on output loading and cycle rates.
- This parameter is sampled.
- Test conditions as specified with the output loading as shown in Fig. 1 unless otherwise noted.
- t_{HZCE} and t_{HZWE} are specified with C_L = 5pF as in Fig. 2. Transition is measured ±500mV from steady state voltage.
- At any given temperature and voltage condition, t_{HZCE} is less than t_{LZCE} and t_{HZWE} is less than t_{LZWE}.
- \overline{WE} is HIGH for READ cycle.
- Device is continuously selected. All chip enables are held in their active state.
- Address valid prior to, or coincident with, latest occurring chip enable.
- t_{RC} = Read Cycle Time.
- Chip enable and write enable can initiate and terminate a WRITE cycle.
- Typical values are measured at 5V, 25°C and 15ns cycle time.
- Typical currents are measured at 25°C.

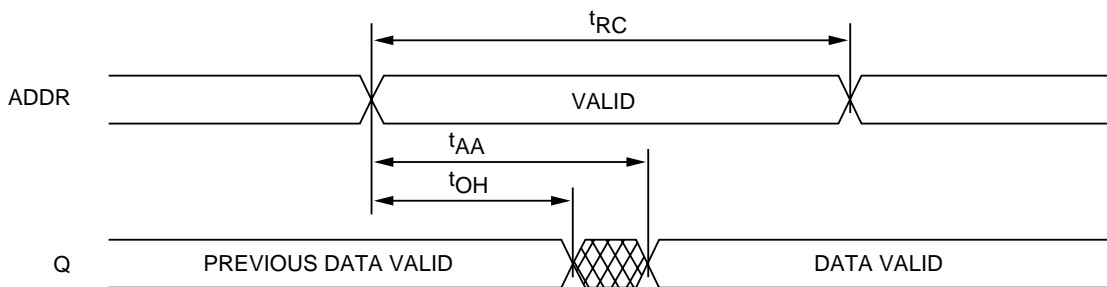
DATA RETENTION ELECTRICAL CHARACTERISTICS (L version only)

DESCRIPTION	CONDITIONS		SYMBOL	MIN	TYP	MAX	UNITS	NOTES
V _{CC} for Retention Data			V _{DR}	2			V	
Data Retention Current	$\overline{CE} \geq (V_{CC} - 0.2V)$ $V_{IN} \geq (V_{CC} - 0.2V)$ or $\leq 0.2V$	V _{CC} = 2V	I _{CCDR}		130	300	μA	14
		V _{CC} = 3V	I _{CCDR}		210	400	μA	14
Chip Deselect to Data Retention Time			t _{CDR}	0			ns	4
Operation Recovery Time			t _R	t _{RC}			ns	4, 11

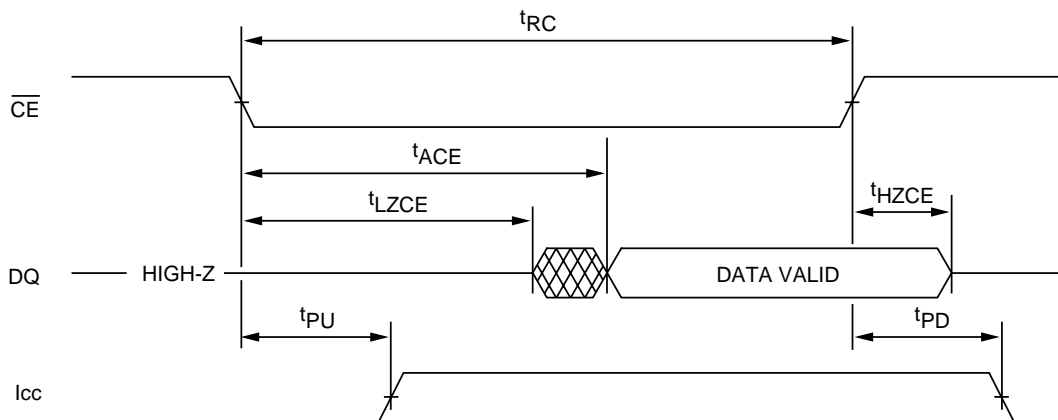
LOW V_{CC} DATA RETENTION WAVEFORM




READ CYCLE NO. 1^{8,9}

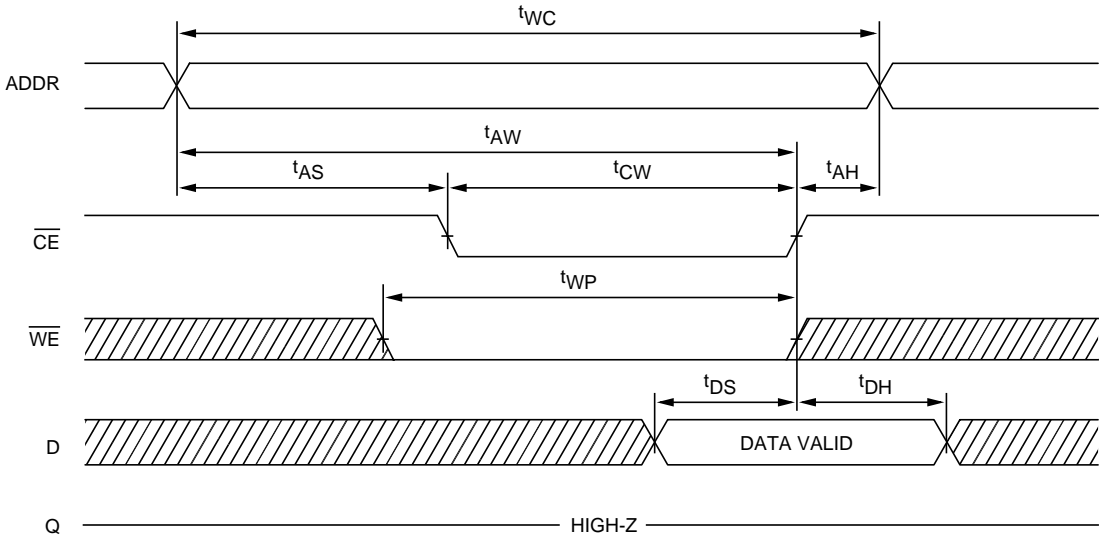


READ CYCLE NO. 2^{7,8,10}

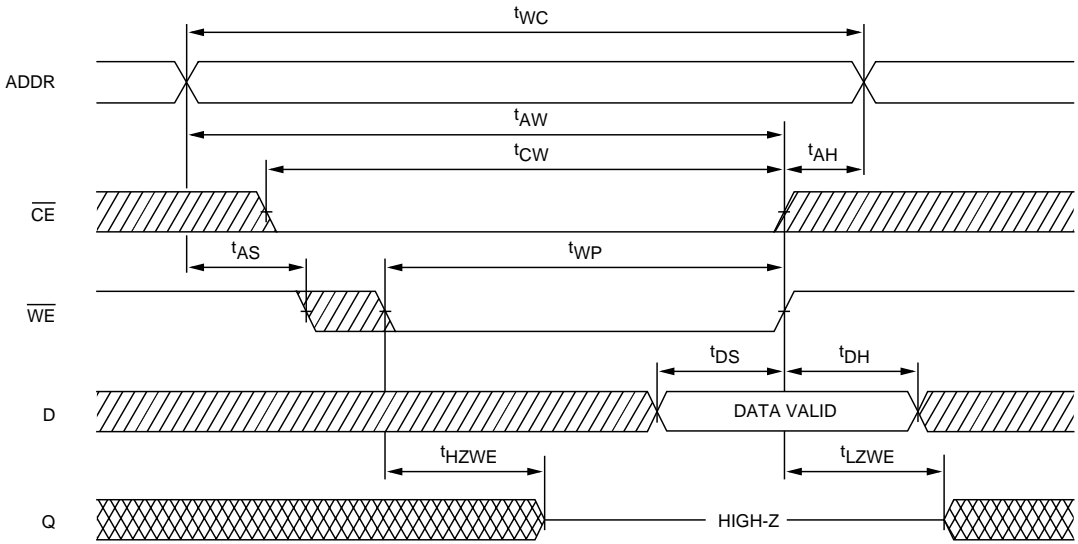




 DON'T CARE
 UNDEFINED

WRITE CYCLE NO. 1 ¹²
(Chip Enable Controlled)

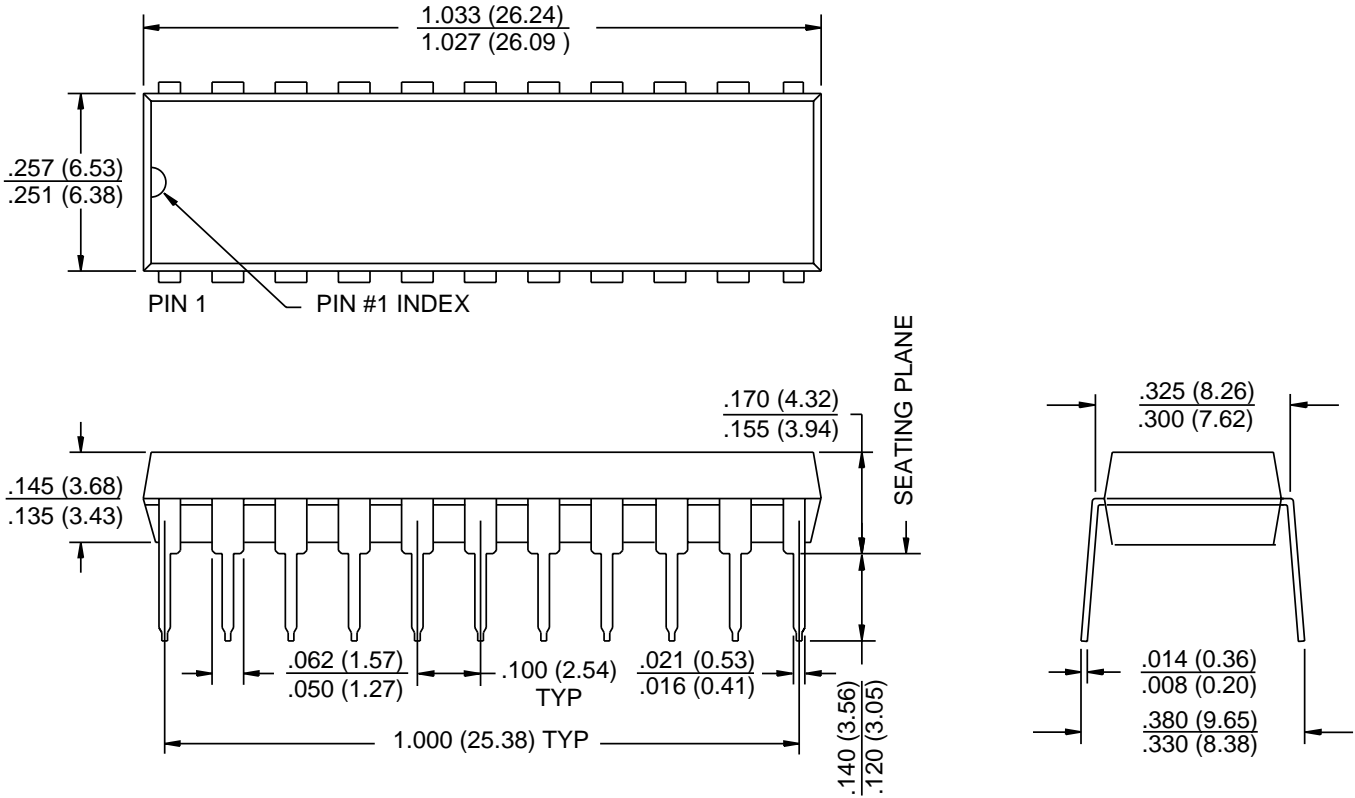


WRITE CYCLE NO. 2 ^{7, 12}
(Write Enable Controlled)

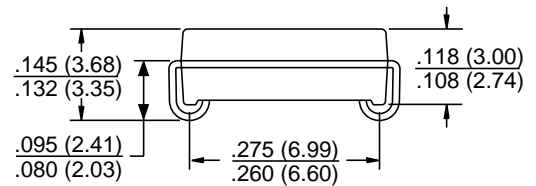
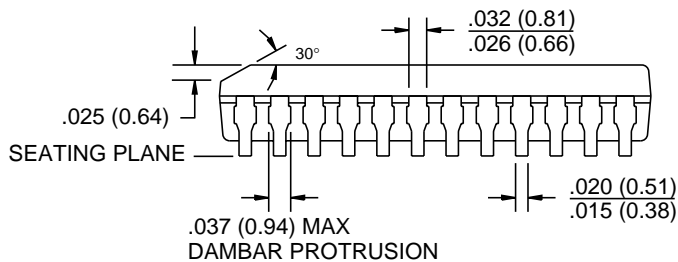
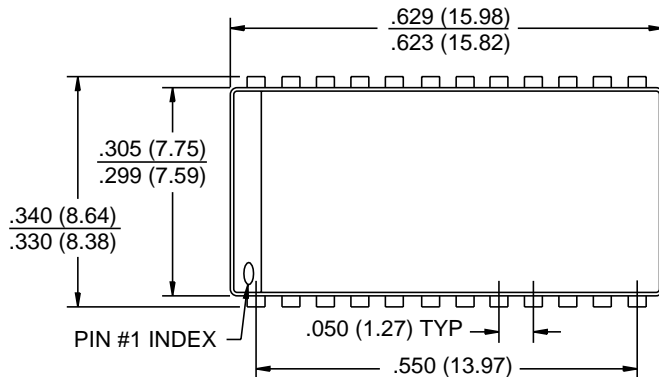


 DON'T CARE
 UNDEFINED

22-PIN PLASTIC DIP



- NOTE:**
1. All dimensions in inches (millimeters) $\frac{\text{MAX}}{\text{MIN}}$ or typical where noted.
 2. Package width and length do not include mold protrusion; allowable mold protrusion is .01" per side.

24-PIN PLASTIC SOJ


- NOTE:**
1. All dimensions in inches (millimeters) $\frac{\text{MAX}}{\text{MIN}}$ or typical where noted.
 2. Package width and length do not include mold protrusion; allowable mold protrusion is .01" per side.